

92 Cam Latch

T and L-Handle · Adjustable grip

Features

- Round hole install
- Detents in open and closed position

Notes

- Screw and lockwasher assembly M4 x 10 (supplied)
- For door thickness > 3.0, calculate screw length using the following formula: Door thickness + 7.00

Material

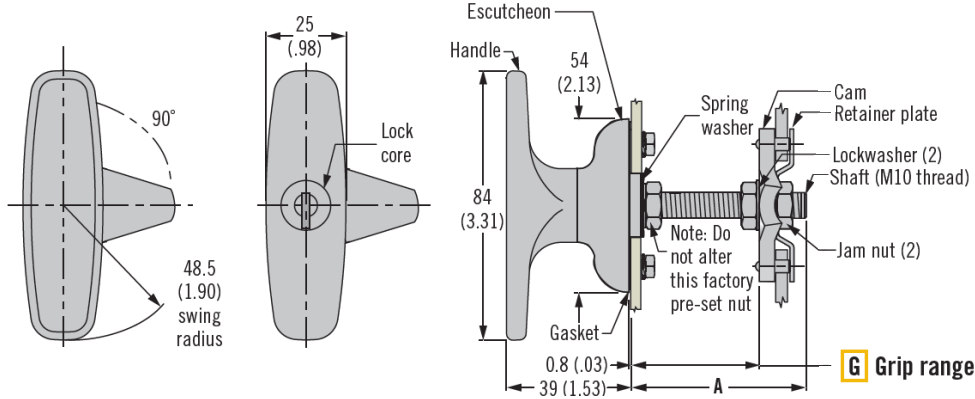
- Zinc alloy and steel, zinc plated

Product Performance

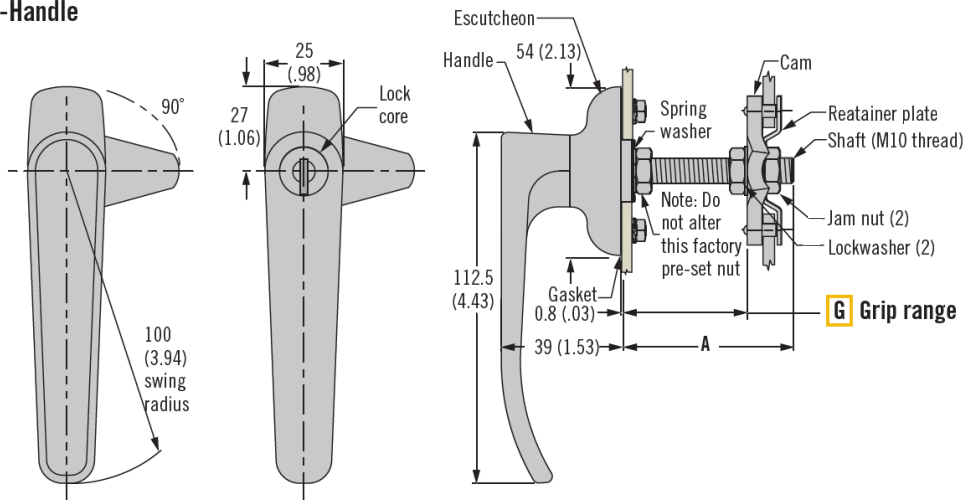
- Maximum static load:
 - Short cam 400 N
 - Long cam 200 N



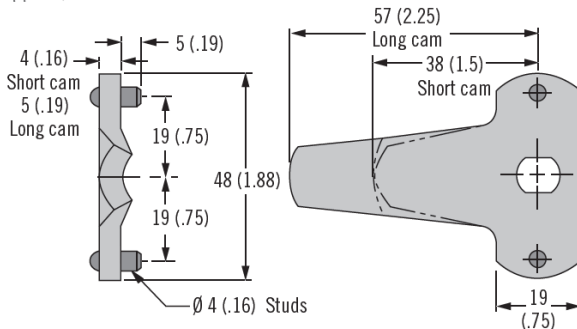
T-Handle



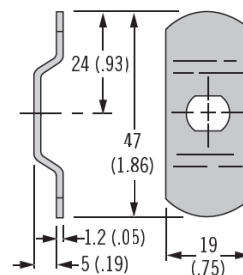
L-Handle

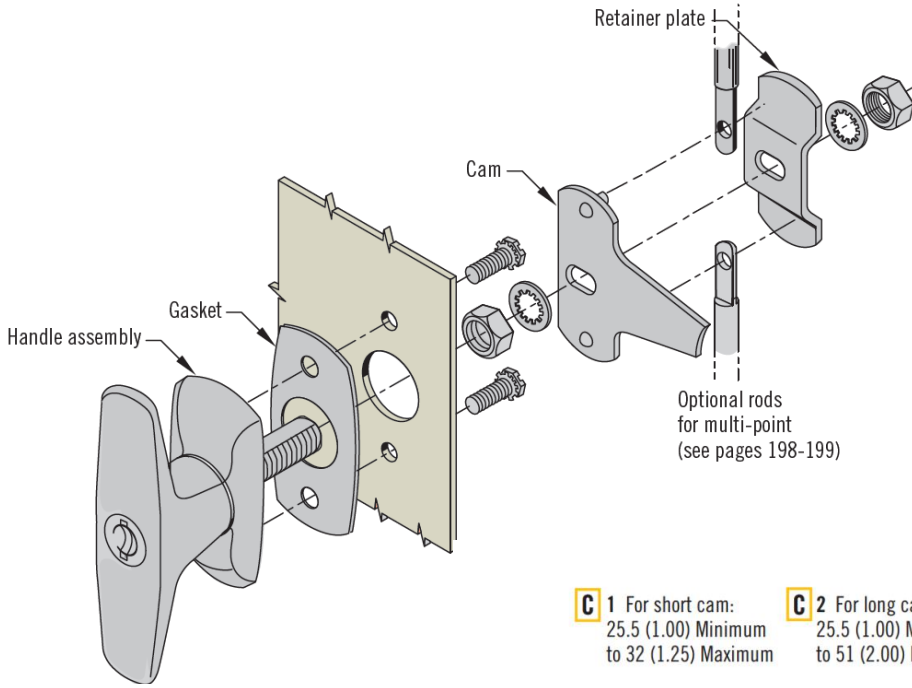


Cam (supplied)

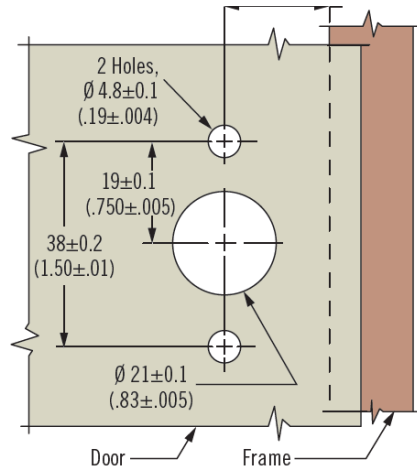
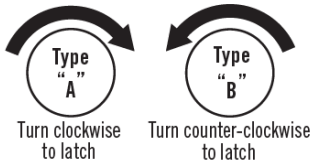


Retainer Plate (supplied)





- C 1** For short cam: 25.5 (1.00) Minimum to 32 (1.25) Maximum
- C 2** For long cam: 25.5 (1.00) Minimum to 51 (2.00) Maximum



R Rotation

- 1 Type A clockwise to latch
- 2 Type B counter-clockwise to latch

F Finish

- 1 Bright chrome
- 5 Black powder coated

C Cam

- 1 Short 38 (1.5)
- 2 Long 57 (2.25)

L Lock style

- 1 T-handle non-locking
- 2 T-handle key-locking CH751 (two keys supplied)
- 3 L-handle non-locking
- 4 L-handle key-locking CH751 (two keys supplied)

92 - L R - F G C

G Grip	Minimum	Maximum	A
1	16 (.63)	19 (.75)	32 (1.25)
2		32 (1.25)	44.5 (1.75)
3		44.5 (1.75)	57.5 (2.25)